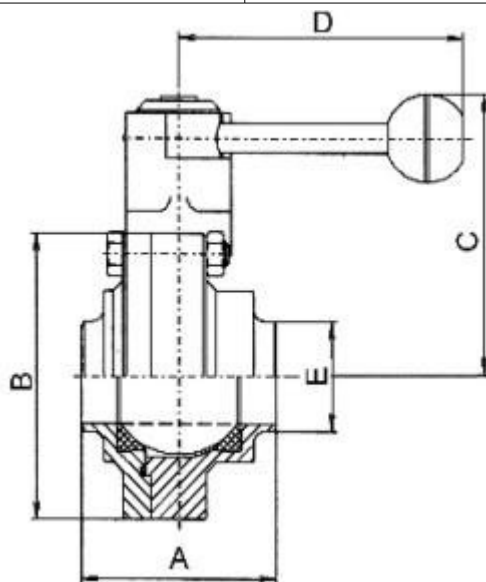


### 23. ZAWÓR KULOWY S-S

(podłączenie spawane)

Norma: DIN



Charakterystyka:

| DN  | A   | B   | C   | D   | E   |
|-----|-----|-----|-----|-----|-----|
| 25  | 67  | 92  | 91  | 102 | 31  |
| 32  | 72  | 97  | 94  | 132 | 37  |
| 40  | 88  | 110 | 100 | 132 | 43  |
| 50  | 104 | 127 | 109 | 132 | 55  |
| 65  | 118 | 142 | 124 | 165 | 72  |
| 80  | 140 | 162 | 135 | 165 | 87  |
| 100 | 190 | 200 | 162 | 216 | 106 |